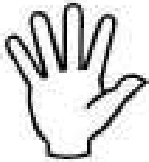


Instruction Manual



P/N 30-3315 Water/Methanol Injection V3 Nozzle Kit Includes T-Fitting, Hose, 250cc, 500cc, & 1000cc Atomizing Pintles



STOP!

THIS PRODUCT HAS LEGAL RESTRICTIONS.
READ THIS BEFORE INSTALLING/USING!

WARNING! THIS IS A RACE ONLY PRODUCT MANUFACTURED AND SOLD FOR INSTALLATION ON VEHICLES DESIGNED TO BE USED SOLELY FOR COMPETITION PURPOSES. ONCE THIS PART IS INSTALLED, THE VEHICLE MAY NEVER BE USED, OR REGISTERED OR LICENSED FOR USE, ON A PUBLIC ROAD OR HIGHWAY. IF YOU INSTALL THIS PART ON YOUR VEHICLE AND USE THE VEHICLE ON A PUBLIC ROAD OR HIGHWAY, YOU WILL VIOLATE THE CLEAN AIR ACT AND MAY BE SUBJECT TO PERSONAL CIVIL OR CRIMINAL LIABILITY, INCLUDING FINES OF UP TO \$4,819 PER DAY.

IT IS THE RESPONSIBILITY OF THE INSTALLER AND/OR USER OF THIS PRODUCT TO ENSURE THAT IT IS USED IN COMPLIANCE WITH ALL APPLICABLE LAWS AND REGULATIONS. IF THIS PRODUCT WAS PURCHASED IN ERROR, DO NOT INSTALL AND/OR USE IT. THE PURCHASER MUST ARRANGE TO RETURN THE PRODUCT FOR A FULL REFUND.

THIS POLICY ONLY APPLIES TO INSTALLERS AND/OR USERS WHO ARE LOCATED IN THE UNITED STATES; HOWEVER CUSTOMERS WHO RESIDE IN OTHER COUNTRIES SHOULD ACT IN ACCORDANCE WITH THEIR LOCAL LAWS AND REGULATIONS.

WARNING!

Improper installation and/or adjustment of this product can result in major engine/vehicle damage. For technical assistance visit our dealer locator to find a professional installer/tuner near you.

Note: AEM holds no responsibility for any engine damage or personal injury that results from the misuse of this product, including but not limited to injury or death caused by the mishandling of methanol.

AEM Performance Electronics
AEM Performance Electronics, 2205 126th Street Unit A, Hawthorne, CA 90250
Phone: (310) 484-2322 Fax: (310) 484-0152
<http://www.aemelectronics.com>
Instruction Part Number: 10-3315
Document Build 10/8/2021

IMPORTANT SAFETY NOTICE REGARDING METHANOL

AEM *strongly* recommends that users never exceed a 50% methanol concentration when using any AEM Water/Methanol system or component.

All AEM water/methanol injection systems and components (pump, lines, fittings, filter, flow sensor, tank, and nozzles) are 100% chemically compatible with methanol. However, for safety reasons we strongly recommend that users never use more than a 50% methanol concentration in our systems.

Methanol is a toxic and highly flammable chemical. 100% methanol ignites easily and burns vigorously with an almost undetectable flame. Methanol can be absorbed through the skin, and even small amounts can cause blindness or even death. Using this fluid at high pressures, without dilution, in an under-hood environment with nylon lines and push-to-connect fittings is very unsafe. The performance advantages of using greater than 50% methanol concentrations are small, if they exist at all. However, the safety issues are very real and far outweigh any perceived benefit of running high concentrations of methanol.

Note: AEM holds no responsibility for any engine damage or personal injury that results from the misuse of this product, including but not limited to injury or death caused by the mishandling of methanol.

30-3315 CONTENTS

Injector Nozzle Kit:

Description	#	Part #
Atomizing Pintle, Small (250 cc/min)	1	35-4554-1
Atomizing Pintle, Medium (500 cc/min)	1	35-4554-2
Atomizing Pintle, Large (1000 cc/min)	1	35-4554-3
Nozzle Filter	1	35-4556
Nozzle Body	1	35-4557
Fitting, 1/4 Tube, Cliptype	1	35-4561
Spring	1	35-4562
Check Valve	1	35-4563
Check Valve Seal	1	35-4570
Retaining Clip	2	35-4565
Fitting, T, 1/4 X 1/4	1	35-4504
Hose, Nylon, 1/4 Od, Black	1	35-4500

INSTALLATION

Nozzle Selection

This injection kit includes three differently sized atomizing pintles that cover a very large range of horsepower levels. Use the following chart to select the appropriate pintle for your power level. The kit comes with the 500cc pintle already preassembled.

HP	Fuel Flow N/ A (.5 BSFC)	Fuel Flow F/ I (.7 BSFC)	W/ M Flow N/ A	W/ M Flow 5–10psi Boost	W/ M Flow 10–25psi Boost	W/ M Flow 25+psi Boost
150	788	1101	95	220	275	330
200	1050	1469	126	294	367	441
250	1313	1836	158	367	459	551
300	1575	2203	189	441	551	661
350	1838	2570	221	514	642	771
400	2100	2937	252	587	734	881
450	2363	3304	284	661	826	991
500	2625	3671	315	734	918	1101
550	2888	4038	347	808	1010	1212
600	3150	4406	378	881	1101	1322
650	3413	4773	410	955	1193	1432
700	3675	5140	441	1028	1285	1542
750	3938	5507	473	1101	1377	1652
800	4200	5874	504	1175	1469	1762
850	4463	6241	536	1248	1560	1872
900	4725	6608	567	1322	1652	1983
950	4988	6976	599	1395	1744	2093
1000	5250	7343	630	1469	1836	2203







Nozzle
250
500
1000
1000 + 500
1000 + 1000

Nozzle Assembly

The nozzles are serviceable and can be disassembled for cleaning. If you find excessive debris in the screen, check your tank for contamination.

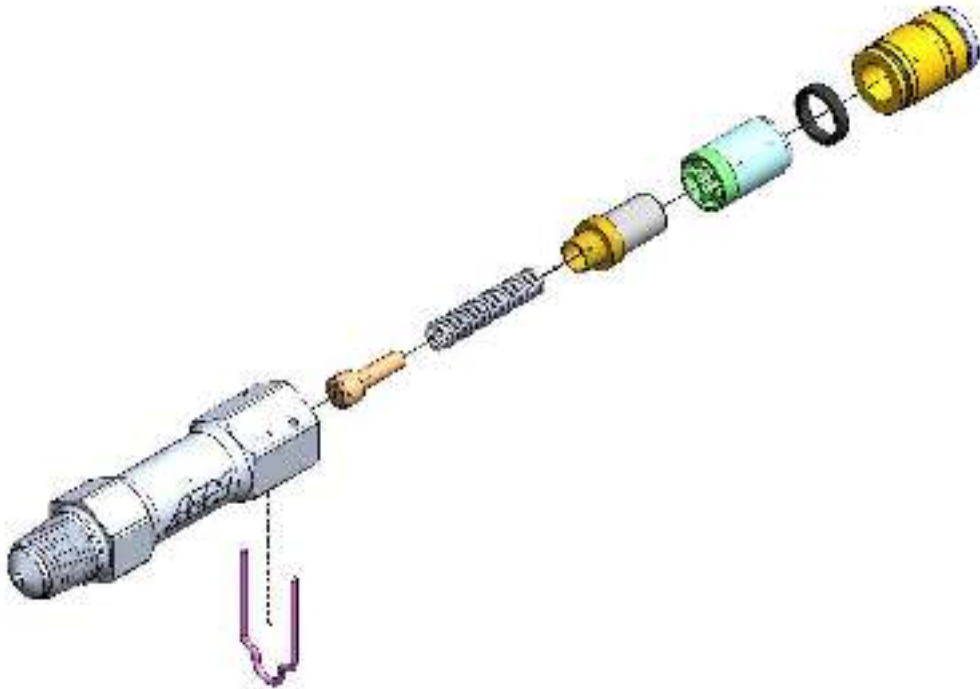
Assembly Instructions:

1. Select your atomizing pintle of choice using the nozzle selection table. Once you have decided on the size of the pintle for your application, use the table below to help you identify the correct pintle.

Pintle Size	250cc	500cc	1000cc
Picture (Pintle Head)			
Picture (Pintle Stem)	<p>Slot</p> 	<p>Cupped End</p> 	<p>Flat</p> 

2. The diagram below shows the assembly/disassembly process.

IMPORTANT: Inspect the check valve and check valve seal for any damage before reassembly. Damaged internals may cause the nozzle to leak, which could result in catastrophic engine damage.



3. In case the check valve comes apart during disassembly, the diagram below shows how the check valve snaps together. No adhesive is required. The actual EPDM valve will not come out of the valve body.

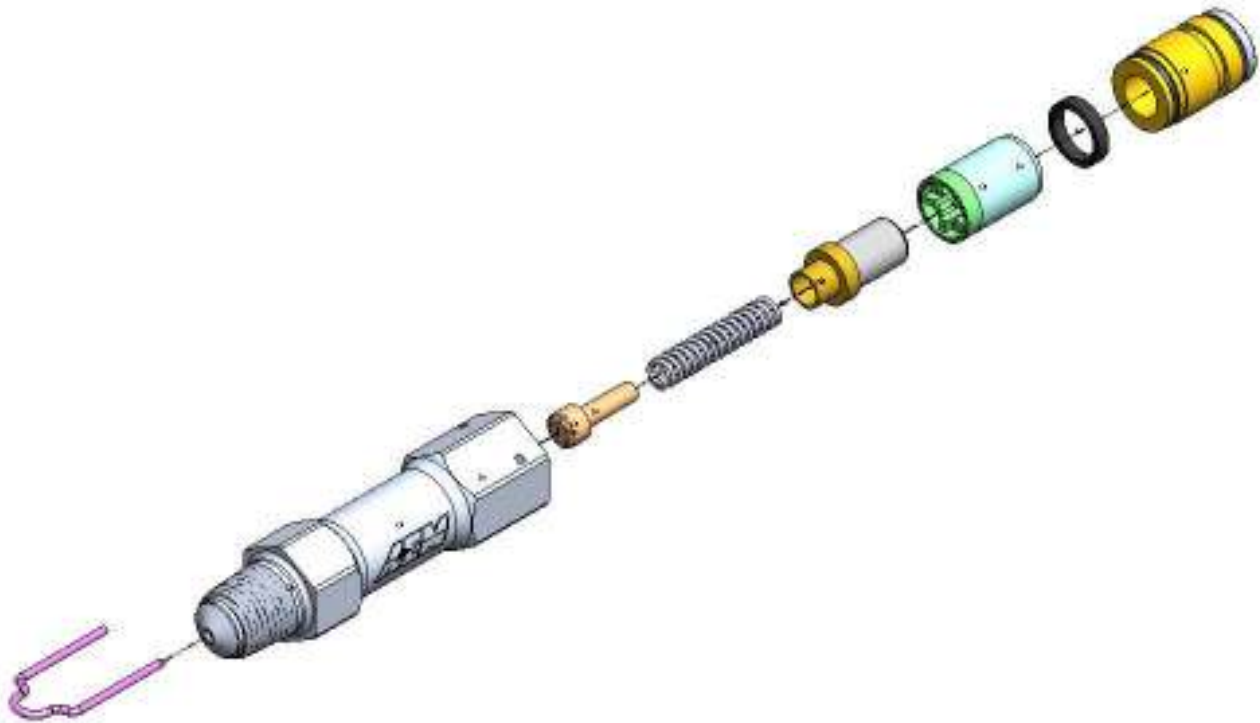
IMPORTANT: The orientation of the EPDM o-ring is critical in preventing leaks. The o-ring has a groove on one side, which is meant to slide over the lip of the check valve body. This provides a watertight seal.



4. If the internal components are stuck inside and cannot be easily removed, use the retaining clip to push against the pintle through the tip of the nozzle.

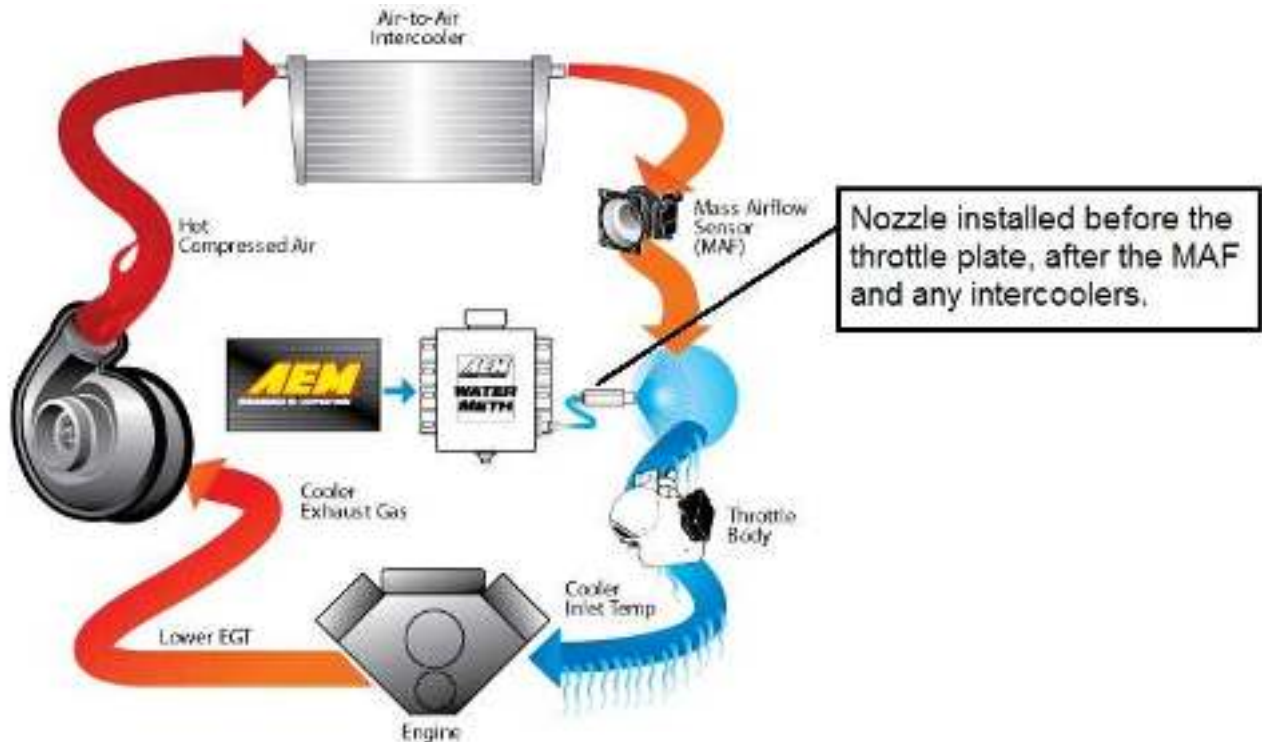
IMPORTANT: If the internal components remain firmly stuck, do not use excessive force to avoid the risk of damaging the components, which may result in nozzle failure when re-assembled. Instead, follow these steps to allow easy removal of the internal components:

1. Remove excess fluids from nozzle to best of ability.
2. Thoroughly rinse nozzle with clean water.
3. Dry nozzle with paper towel.
4. Place nozzle in a freezer for 20 minutes to allow the internal components to contract.
5. Remove nozzle from freezer.
6. Proceed to disassemble normally.



Nozzle Mounting

Select the location where the nozzle will be installed. **Nozzle must be mounted such that it is higher than the tank. Failure to do so may lead to fluid leaking into the intake tract due to gravity or siphoning, which may result in engine damage.** Nozzle must be mounted **before** the throttle plate. Nozzle should also be mounted **after** the MAF sensor, if present. Nozzle must also be mounted **after** any intercoolers. In most instances, mounting the nozzle 6–8" ahead of the throttle body provides an excellent combination of air charge cooling and combustion control.



In most instances, the air charge piping can be drilled and tapped for 1/8" NPT to directly mount the nozzle. If using thin walled tubing it's suggested that a bung be welded to the piping. Mounting hole should be tapped deep enough to allow the end of the nozzle to be nearly flush with the interior of the intake once the nozzle is fully installed.

OPTIONAL SYSTEM UPGRADES

High-Flow Low-Current WMI Solenoid – AEM P/N 30-3326



AEM's stainless steel Water/Methanol Injection Solenoid (PN 30-3326) eliminates any chance of water/methanol flow into the inlet when the WMI system is not engaged. This affordable water/methanol injection accessory features high flow capability (3,600cc/min) and an impressively low current draw of only 0.75A that does not require the use of an additional relay.

Water/Methanol Injection Filter – AEM P/N 30-3003



Inline filter that uses a micron mesh screen to filter out particles as small as 40 microns. Allows a cleaner flow of water/methanol into the injection pump, lines, and nozzles increasing overall system longevity. Injection filter is **HIGHLY RECOMMENDED** when using the AEM water/methanol injection flow gauge.

Additional Nozzle Kit – AEM P/N 30-3315



Includes one complete nozzle, three pintle sizes (one is preinstalled), one retaining clip, and the necessary hardware to run a second nozzle in your injection system.

5-Gallon Tank – AEM P/N 30-3320



Upgrade to a 5-gallon tank to maximize your fluid holding capacity. Includes level sensor and mounting hardware.

12 MONTH LIMITED WARRANTY

AEM Performance Electronics warrants to the consumer that all AEM ELECTRONICS products will be free from defects in material and workmanship for a period of twelve months from date of the original purchase. Products that fail within this 12-month warranty period will be repaired or replaced when determined by AEM that the product failed due to defects in material or workmanship. This warranty is limited to the repair or replacement, at AEM's discretion, of the AEM Electronics part. In no event shall this warranty exceed the original purchase price of the AEM ELECTRONICS part nor shall AEM ELECTRONICS be responsible for special, incidental or consequential damages or cost incurred due to the failure of this product.

Warranty claims to AEM ELECTRONICS must be transportation prepaid and accompanied by dated proof of purchase. This warranty applies only to the original purchaser of product and is non-transferable. All implied warranties shall be limited in duration to the said 12-month warranty period. Improper use or installation, accident, abuse, unauthorized repairs or alterations voids this warranty.

AEM ELECTRONICS disclaims any liability for consequential damages due to breach of any written or implied warranty on all products manufactured by AEM ELECTRONICS.

Warranty returns will only be accepted by AEM ELECTRONICS when accompanied by a valid Return Merchandise Authorization (RMA) number. Product must be received by AEM ELECTRONICS within 30 days of the date the RMA is issued. UEGO oxygen sensors are considered wear items and are not covered under warranty.

Please note that before AEM ELECTRONICS can issue an RMA for any electronic product, it is first necessary for the installer or end user to contact the tech line at 1-800-423-0046 to discuss the problem. Most issues can be resolved over the phone. Under no circumstances should a system be returned, or an RMA requested before the above process transpires. AEM ELECTRONICS will not be responsible for products that are installed incorrectly, installed in a non-approved application, misused, or tampered with.

Fuel Pumps installed with incorrect polarity (+&- wires crossed) will not be warranted. Proper fuel filtration before and after the fuel pump are essential to fuel pump life. Any pump returned with contamination will not be warranted.

Any AEM ELECTRONICS product, excluding discontinued products, can be returned for repair if it is out of the warranty period. There is a minimum charge for inspection and diagnosis of AEM ELECTRONICS parts which are out of warranty. Parts used in the repair of AEM ELECTRONICS electronic components will be extra. AEM ELECTRONICS will provide an estimate of repairs and must receive written or electronic authorization before repairs are made to the product.

Need additional help? Contact the AEM Performance Electronics tech department at 1-800-423-0046 or email us at tech@aemelectronics.com.